



Unicla *New Product* BULLETIN

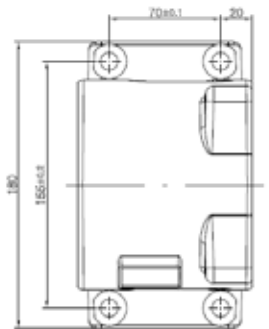
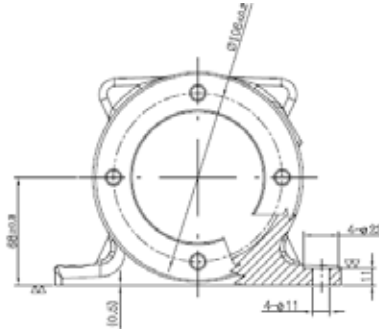
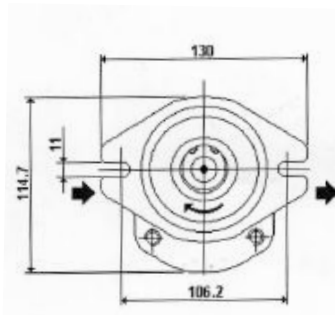
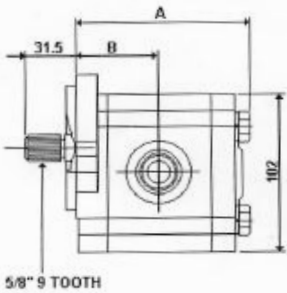
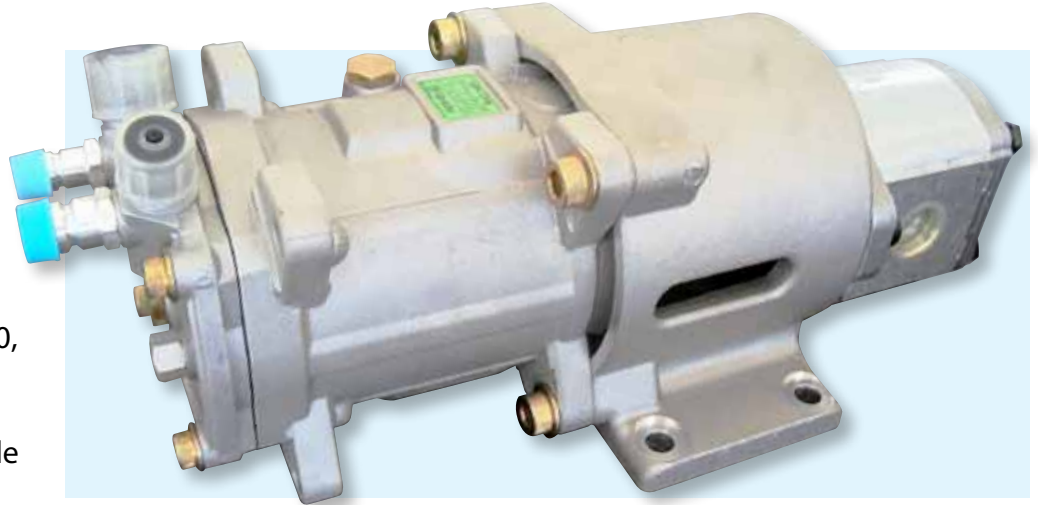
Unicla Hydraulic Drive Unit to suit 120, 150 and 170 series compressors

Features

The Unicla Hydraulic Unit is designed to operate in conjunction with Unicla UP model 120, 150 and 170 series compressors and is universally adaptable to be driven by any 11-15cc capacity

hydraulic motor with a standard SAE twin bolt A type mounting configuration and 5/8" 9 tooth shaft. The unit can be supplied as a complete housing and compressor kit without the hydraulic motor, or the hydraulic drive housing kit on its own without the compressor. These options have been designed to allow Unicla customers to fit the nominated compressor separately to cater for the various compressor configurations available.

The compressor configuration can be changed in any standard Unicla A group model by simply changing the rear cap with the appropriate hose ports and positioning service valves and other fittings according to the specific application.



Typical dimensions of 11-15cc capacity hydraulic motor with a standard SAE twin bolt A type mounting configuration and 5/8" 9 tooth shaft

Hydraulic housing dimensions



Hydraulic unit coupling
Part # 27203-000060



Hydraulic housing and bolt kit
Part # 32308-000930



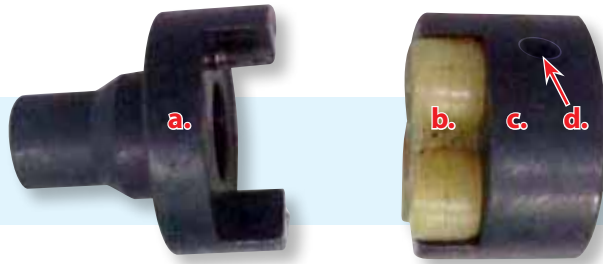


Unicla assembly instructions

Hydraulic drive housing, compressor, coupling and hydraulic motor

1. Coupling part #27203-000060

- a. Coupling connector A
- b. Elastic cushion
- c. Coupling connector B
- d. Screw (M6xL16)



2. Installing coupling connector A



Wrench

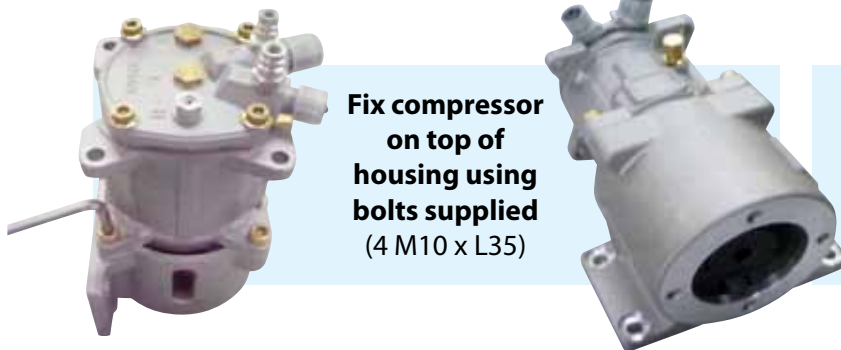
Insert coupling connector A into compressor

Tighten screw (M6 x 18) to 14.7N·m

Installed condition

3. Tighten compressor and coupling housing

Part #32308-000930



Fix compressor on top of housing using bolts supplied (4 M10 x L35)

4. Installing coupling connector B and cushion

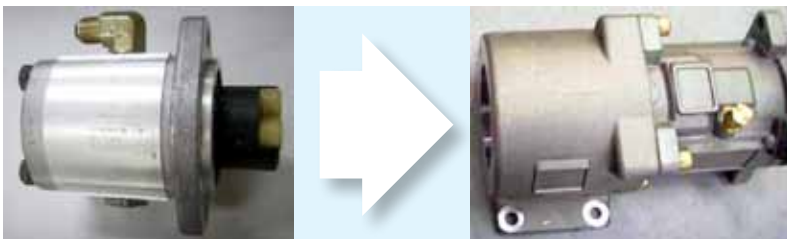
Fix coupling connector B and cushion to hydraulic drive motor shaft. Tighten with screw (M6)



5. Install hydraulic drive motor

Install motor and housing using bolts (2 M10 - not supplied)

Completed



For detailed information about Unicla recommendations on such areas as fitting compressors in special applications, measuring compressor thermal and pressure loads, and calculating extra oil requirements in larger systems, we recommend you visit our website where expert advice from Unicla engineers can be found.



Unicla International Limited

Unit 1109, 11/F, Manhattan Centre, 8 Kwai Cheong Rd, Kwai Chung, N.T., Hong Kong. Phone (852) 2422 0180 Fax (852) 2422 0680 Email: sales@unicla.hk Website: www.unicla.hk

Distributed by: