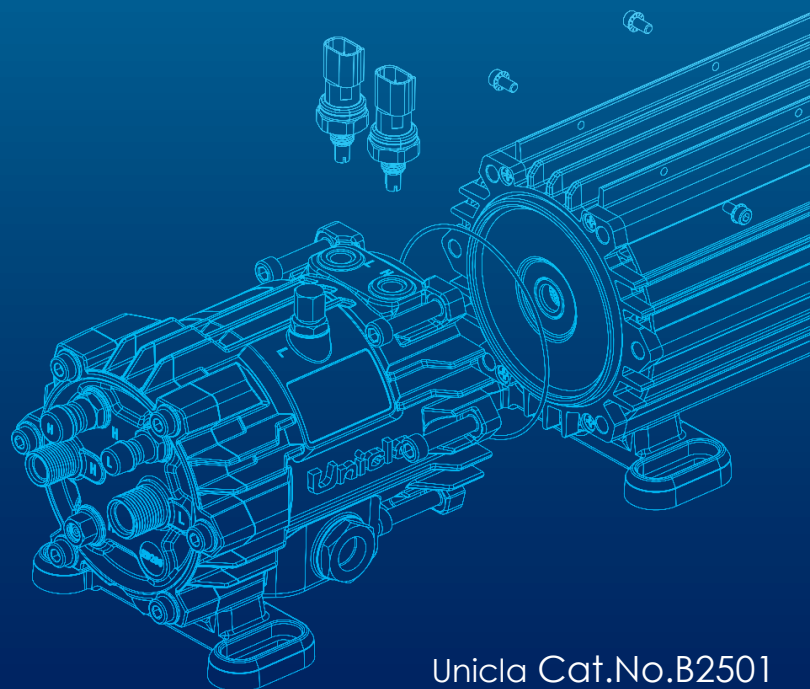


Unicla®

eDrive data acquisition and viewing



Unicla Cat.No.B2501

eDive data access – app

Logging / data viewing via the eConnect Windows App (direct connection)

When the compressor is powered with the eConnect desktop app connected by ethernet or USB cable, the app will collect the historical data while the app remains open and PC on.

This data can be accessed in the individual and combined plots in a live or historical basis. Only data collected in that app session will be available. Once the app is closed the data is cleared and lost.



The log to file button allows for a direct log to CSV (excel) file for most eDrive data. The CSV will continue to collect data until the stop log button is pressed or the app closed. The CSV file location can be selected by the user.



eDrive data access – online

Data viewing via the online eConnect (cloud access)

When the compressor is powered and online (connected to the internet), operational eDrive data will be continuously sent to the online portal via the cloud.

The online eConnect is almost identical to the desktop version with individual and combined plots available for viewing. Select the desired display range and press filter



Limitation notes:

- The compressor needs to be powered, and internet connected via an ethernet cable
- The compressor needs to be set up for online access (factory option)
- Only users that have been set up and authorized can access that specific compressor online. User set up is only available via Unicla support
- Online access URL <https://econnect.unicla.hk/>

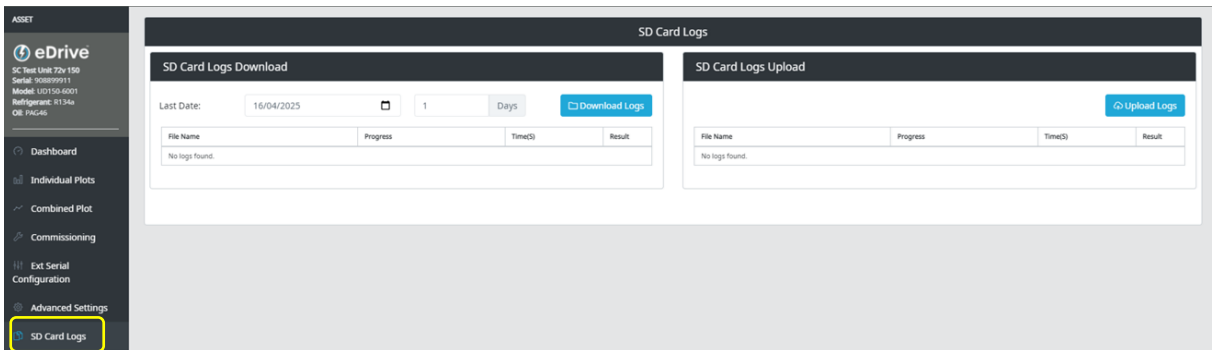
eDrive data access – SD card

Data viewing via the SD card (no internet access)

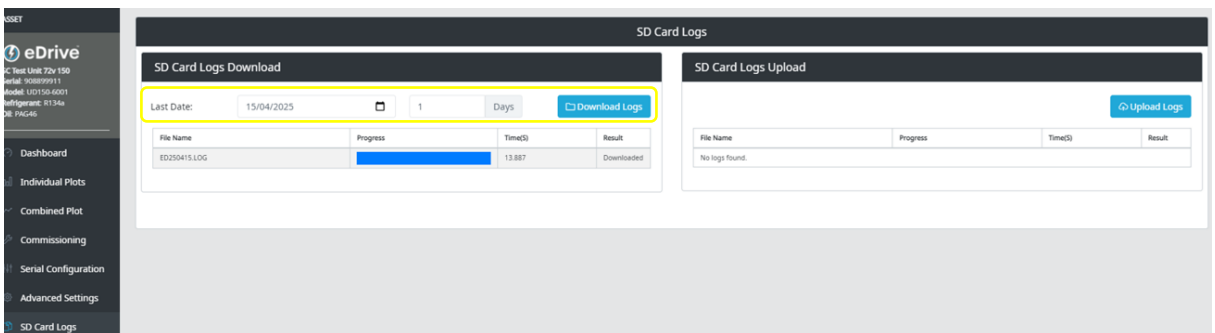
When the compressor is powered and offline (not connected to the internet), operational eDrive data will be stored on the SD card where possible*.

The data files need to be downloaded from the SD card as an encrypted file, then uploaded to the cloud once the PC has internet connection. The data can then be seen within the SD card data tab in the online eConnect.

Connect the PC to the eDrive via USB or ethernet cable using the eConnect desktop APP. Press on the SD card logs button

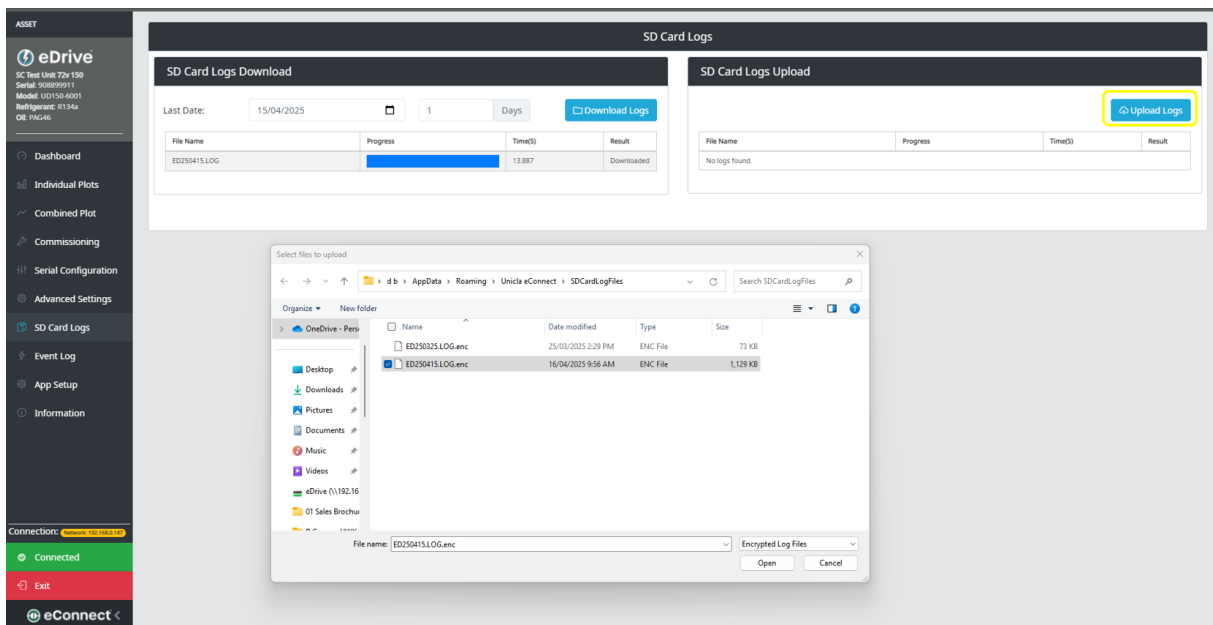


Set the last date reference and number of preceding days and download logs. Note the downloaded file name which is a date reference or multiple date references depending on the range selected. The SD card data is now ready to upload once online again.

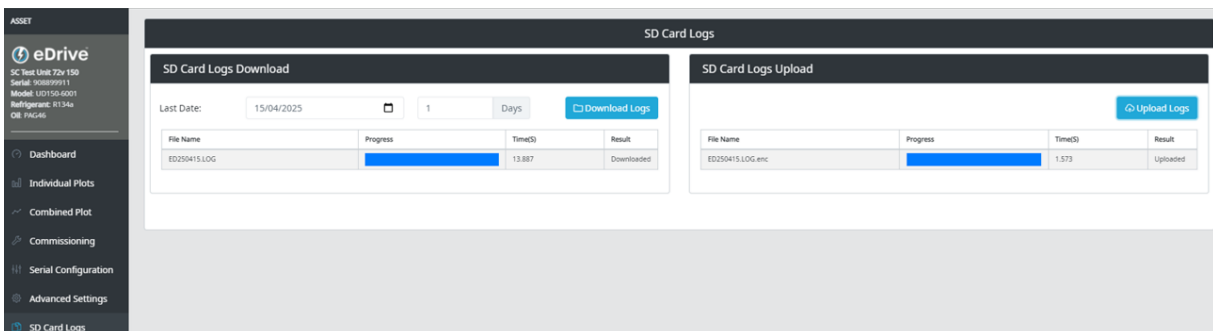


eDrive data access – SD card

Establish an internet connection to the PC. Press the upload logs button and select files screen will pop up. Select the file date that was downloaded and press open.



The file will be shown as uploaded which means it has been sent to the cloud.



Open the online eConnect and connect to the compressor

eDive data access – SD card

Press the SD card data tab. Press the history drop down and the uploaded history from the SD card will be shown. Select the uploaded file and press show. The data set will be shown in the viewer



Limitation notes*

- The SD card is an optional factory fit solution added to the PCBA. Confirm that this option has been selected and installed at time of order.
- The compressor will need XC firmware 3.4 or later to support SD card operation. Confirm the current firmware within the information tab in eConnect.
- The compressor needs to be set up for online access (factory option)
- Only users that have been set up and authorized can access that specific compressor online. User set up is only available via Unicla support
- The SD card data and the online (cloud) data are currently displayed separately (SD card data and combined / individual plots)
- Only one SD card file can be opened at a time
- Online access URL <https://econnect.unicla.hk/>
- SD card data is erased at 6 months since capture

Unicla®

Unicla International Limited

Hong Kong: +852 2422 0180

Australia: +61 7 5549 4000

www.unicla.hk
sales@unicla.hk

