

# Unicla® eDrive™

## UD150 72 V dc

Part number	UD150
Motor series	Model 150 (72 V dc)
Refrigerant application	Low pressure
Motor speed range	800-1850 rpm
Optimal operating speed	1850 rpm
Displacement	145cc / rev
Number of cylinders	10
Nominal weight	21 kg
Max pressure	LP 7 bar // HP 25 bar
Relief valve	32 bar
Suction connection size	7/8 - 14 UNF #10
Discharge connection size	3/4 - 16 UNF #8

### Connection pattern



Oil return fitting	7/16-20 UNF male flare
Oil type	PAG56 (Unidap 7)
Oil fill (factory)	250cc
Operating voltage	60-83 V dc
Current	46.2 A
Power	3000 W

Maximum operating ambient temperature (with ambient air flow) 45°C

Maximum operating ambient temperature (with additional air flow) 55°C

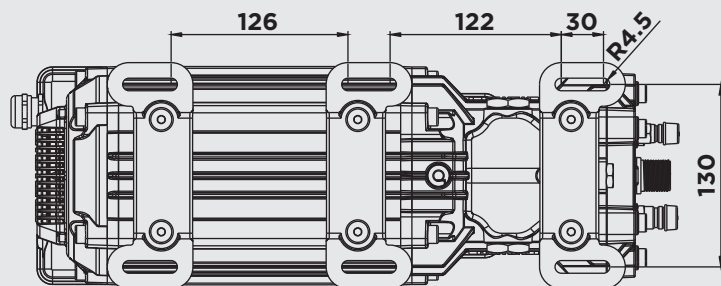
Enclosure class (controller housing & motor/compressor) IP55/IP68

Power supply gland Nickle plate M20x1.5

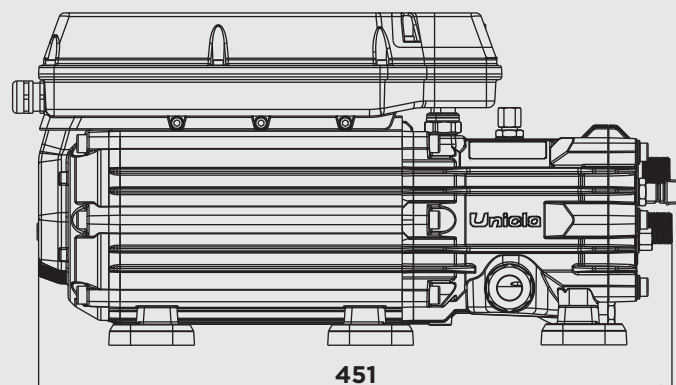
Electical certification date 16/10/2021

Communication & control interfaces CAN, RS485, USB, Ethernet, Bluetooth, 0-10 V dc, 4-20 mA, Run/Stop

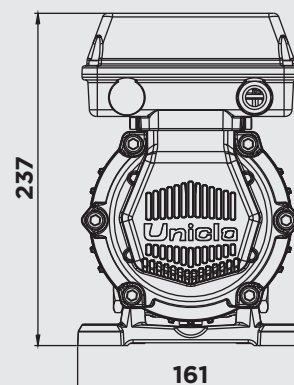
Nominal dimensions L x W x H (mm) 451 x 161 x 237



**Bottom view**



**Side view**



**Front view**

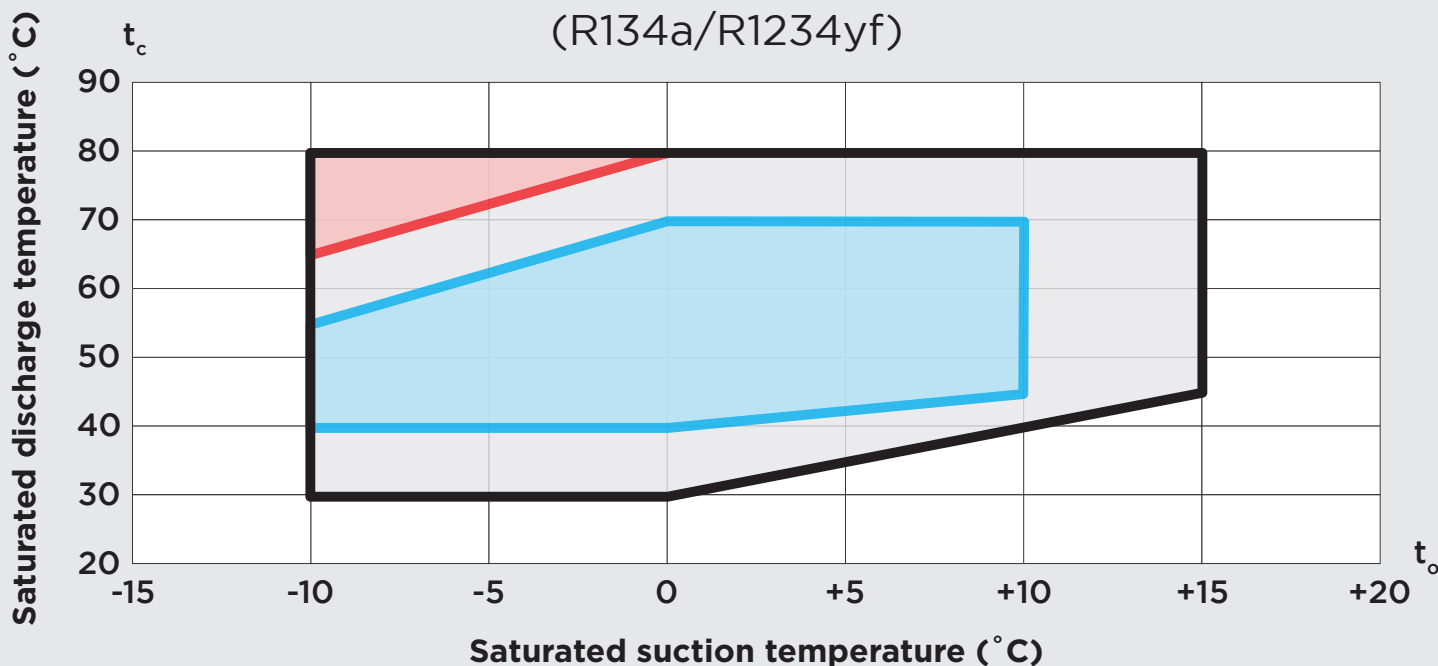


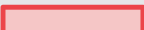
Scan the QR code  
or visit [www.unicla.hk](http://www.unicla.hk)  
for more information  
and technical support

Unicla International Limited  
Unit 1109, 11/F, Manhattan Centre,  
8 Kwai Cheong Road,  
Kwai Chung, N.T., Hong Kong  
PHONE: +852 2422 0180  
FAX: +852 2422 0680  
EMAIL: [sales@unicla.hk](mailto:sales@unicla.hk)

Unicla Australia  
14 Motorway Circuit Ormeau,  
Queensland 4208 Australia  
PHONE: +61 7 5549 4033  
FAX: +61 7 5549 4044  
EMAIL: [sales@unicla.hk](mailto:sales@unicla.hk)

## Operational limits (R134a/R1234yf)



-  Operational limit
-  Ideal operation
-  Operation with maximum 20K superheat at suction

$t_c$  = Condensing temperature  
 $t_o$  = Evaporating temperature

### R134a

Model	Cond. T	Evap. T			kW
		-5	0	5	
UD150	35	6.2	7.6	9.7	Ca.
		2.1	2.4	2.6	PC
	45	5.0	6.2	8.0	Ca.
		2.4	2.6	2.8	PC
	55	4.0	5.2	6.6	Ca.
		2.5	2.7	3.0	PC

### R1234yf

Model	Cond. T	Evap. T			kW
		-5	0	5	
UD150	35	5.9	7.2	9.2	Ca.
		2.0	2.3	2.4	PC
	45	4.6	5.4	7.4	Ca.
		2.1	2.2	2.5	PC
	55	3.6	4.7	5.9	Ca.
		2.2	2.3	2.6	PC

# Unicla® eConnect™

**A two-way conversation. At last.**

Harness the true power of eDrive with eConnect, the interface between man and machine. eConnect is a multi-platform digital suite that communicates directly with eDrive, providing a wealth of data and information.

