

# Unicla® eDrive™

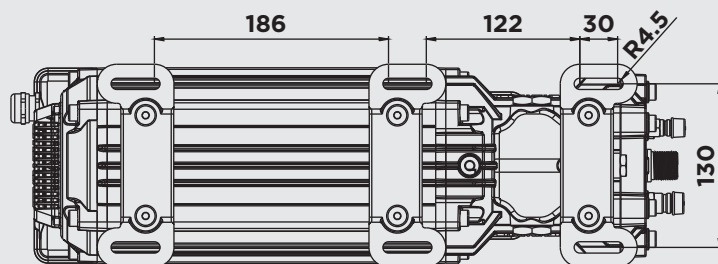
## UDF150 400 V dc

Part number	UDF150
Motor series	Model 200 (400 V dc)
Refrigerant application	High pressure
Motor speed range	800-1850 rpm
Optimal operating speed	1850 rpm
Displacement	145cc / rev
Number of cylinders	10
Nominal weight	25 kg
Max pressure	LP 7 bar // HP 25 bar
Relief valve	32 bar
Suction connection size	7/8 - 14 UNF #10
Discharge connection size	3/4 - 16 UNF #8

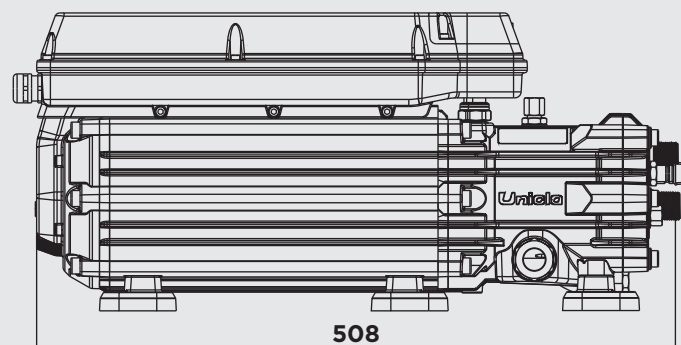
### Connection pattern



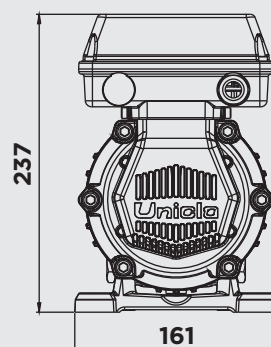
Oil return fitting	7/16-20 UNF male flare
Oil type	POE32 (Unidap 3)
Oil fill (factory)	200cc
Operating voltage	320-480 V dc
Current	11.25 A
Power	4500 W
Maximum operating ambient temperature (with ambient air flow)	45°C
Maximum operating ambient temperature (with additional air flow)	55°C
Enclosure class (controller housing & motor/compressor)	IP55/IP68
Power supply gland	Nickle plate M20x1.5
Electical certification date	16/10/2021
Communication & control interfaces	CAN, RS485, USB, Ethernet, Bluetooth, 0-10 V dc, 4-20 mA, Run/Stop
Nominal dimensions L x W x H (mm)	513 x 161 x 237



**Bottom view**



**Side view**



**Front view**

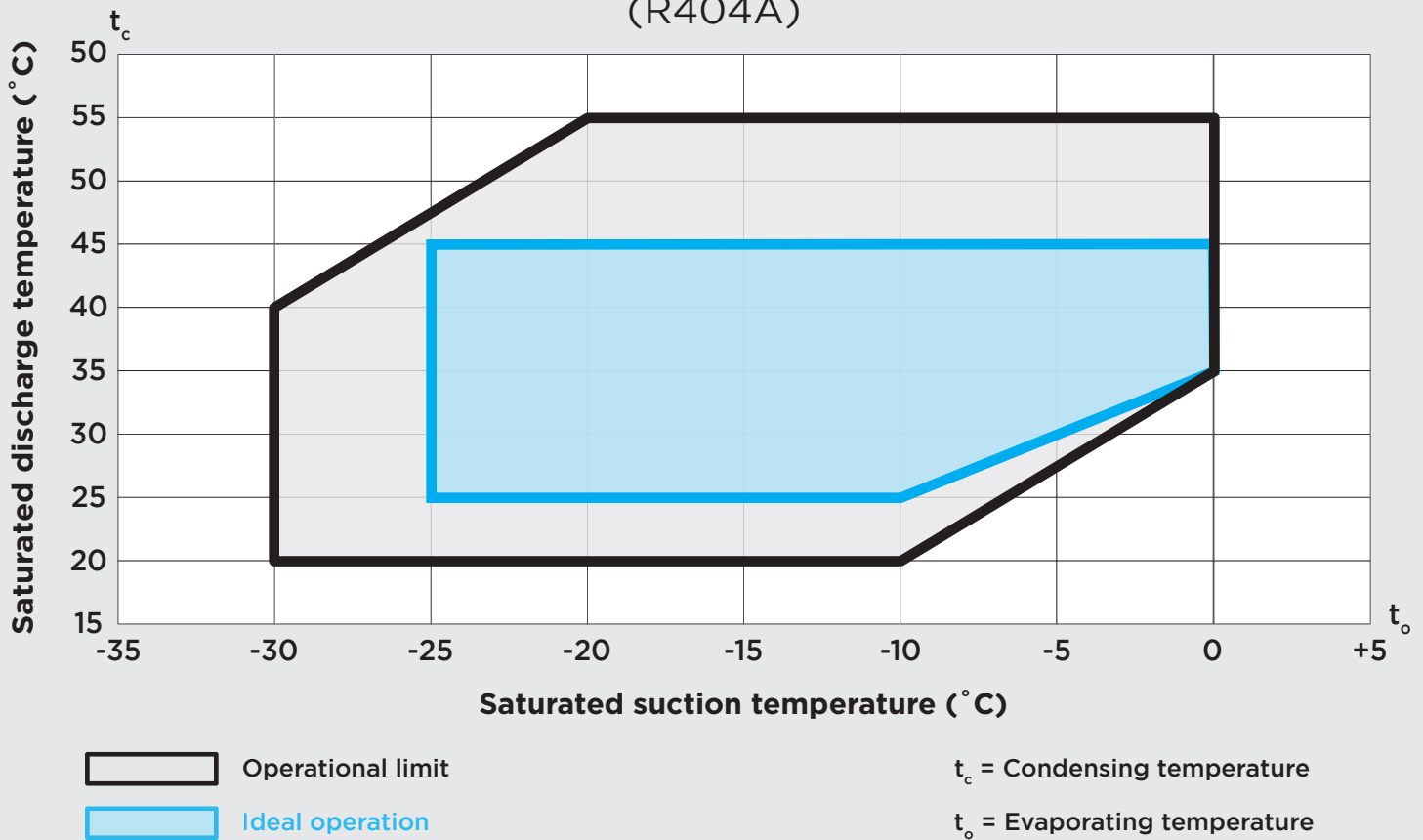


Scan the QR code  
or visit [www.unicla.hk](http://www.unicla.hk)  
for more information  
and technical support

Unicla International Limited  
Unit 1109, 11/F, Manhattan Centre,  
8 Kwai Cheong Road,  
Kwai Chung, N.T., Hong Kong  
PHONE: +852 2422 0180  
FAX: +852 2422 0680  
EMAIL: [sales@unicla.hk](mailto:sales@unicla.hk)

Unicla Australia  
14 Motorway Circuit Ormeau,  
Queensland 4208 Australia  
PHONE: +61 7 5549 4033  
FAX: +61 7 5549 4044  
EMAIL: [sales@unicla.hk](mailto:sales@unicla.hk)

### Operational limits (R404A)



### R404A

Model	Cond. T	Evap. T			kW
		-20	-10	0	
UDF150	35	7.5	8.3	13.6	Ca.
		2.5	3.0	3.8	PC
	45	6.0	6.9	10.9	Ca.
		2.7	3.3	4.0	PC
	55	4.7	5.6	9.0	Ca.
		3.3	3.6	4.4	PC

**Unicla**  **eConnect**<sup>TM</sup>

**A two-way conversation. At last.**

Harness the true power of eDrive with eConnect, the interface between man and machine. eConnect is a multi-platform digital suite that communicates directly with eDrive, providing a wealth of data and information.

