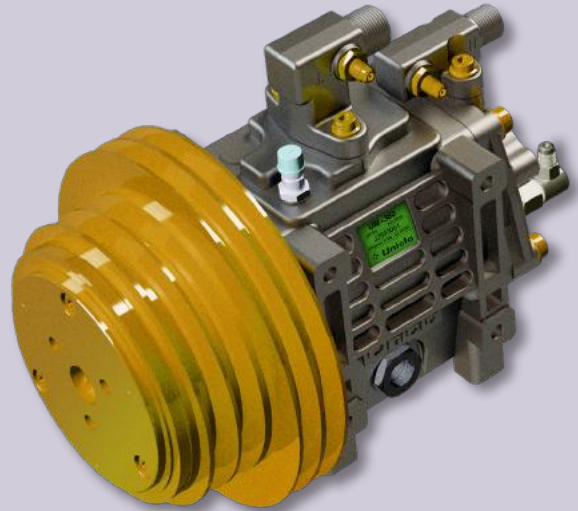


Replaces TM31 – more capacity, more access, more safety

## UM380 series

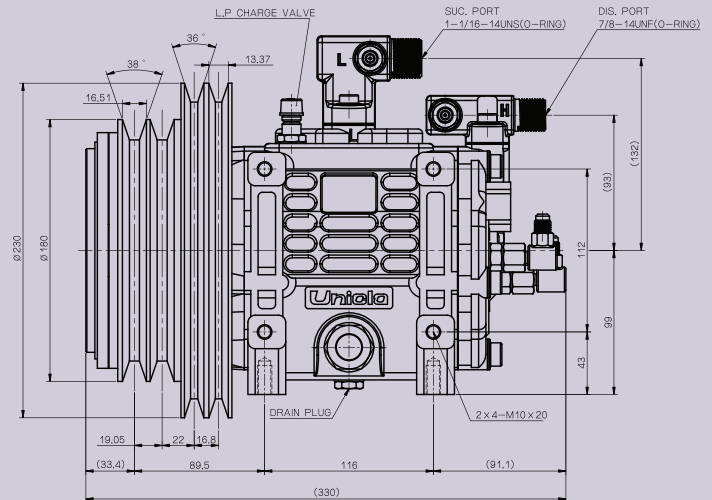
Part number	UM380
Compressor type	Heavy Duty Swashplate
Number of cylinders	10
Refrigerant application	R134a, 1234yf, R404A, R452A
Speed range	700-4500 rpm
Displacement	380 cm <sup>3</sup> /rev
Rotation	Bi-directional
Weight without clutch	13.00kg
Suction connection size	#12 MIOR (1-1/16-14)
Discharge connection size	#10 MIOR (7/8-14)
Oil options	POE68, PAG46, PAG46 HD
Oil fill (factory)	600 ml
Clutch voltage	12 Vdc or 24 Vdc



## Clutch options

Additional clutch options available upon request

Type	168mm	178mm	180mm	210mm	230mm	12 Vdc	24 Vdc
AA-Groove	☉					☉	☉
BB-Groove	☉	☉		☉		☉	☉
8-Groove	☉	☉		☉		☉	☉
BB-AA-Groove			☉		☉	☉	☉



## Access Port options



Suction service valve

Part-No. 38101-000020



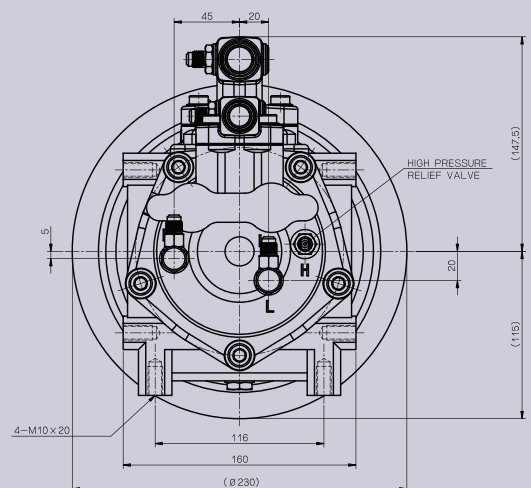
Discharge service valve

Part-No. 38101-000080

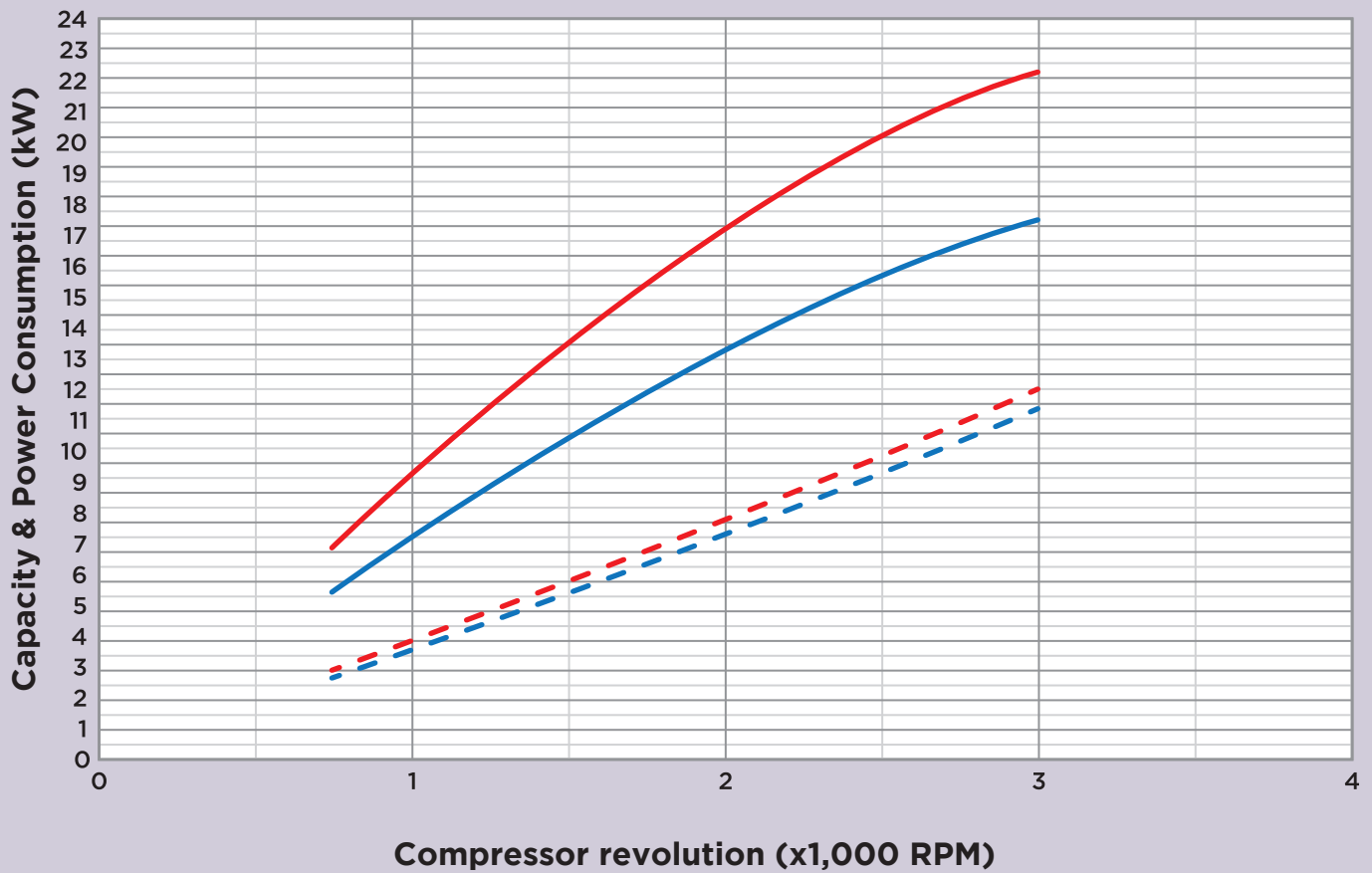


Pressure switch fitting

Part-No. 42203-000150



## Unicla UM380 series capacity



Suction Temperature: --- -1.0°C | --- 5.0°C

Discharge Temperature: 58°C    SH: 10°C    SC: 5    Refrigerant: R134a

## Here to help. Since 1964.

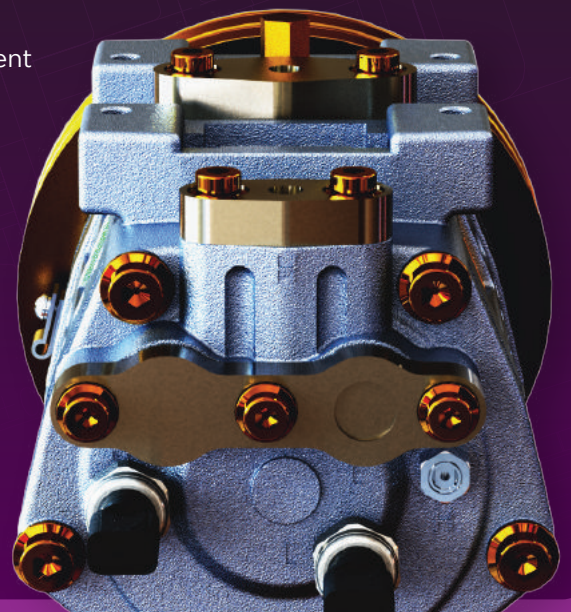
The release of our vehicle-specific UA Group provides an OE replacement solution for over 600 common automotive, bus, off-highway and transport refrigeration compressor models.

Given our heritage is at stake, we have taken our time to get this right. Rather than rushing into this market, we needed to be sure that our range would be worthy of the Unicla name.

It was vital that our partners could confidently depend on Unicla for their OE replacement compressor requirements. Our traditional value proposition of superior quality, first-class technical and after-sales support, and partner loyalty are all part of UA Group.

Unicla UA Group offers you tremendous opportunity. In addition to providing access to the widest OE replacement range, we offer our partners valuable market territories and factory support for years to come.

Welcome to the Unicla family.



**Unicla**  **oDrive**

Scan the QR code  
or visit [www.unicla.hk](http://www.unicla.hk)

### Hong Kong

Phone: +852 2422 0180  
Email: [sales@unicla.hk](mailto:sales@unicla.hk)

### Australia

Phone: +61 55494 4033  
Email: [sales@unicla.hk](mailto:sales@unicla.hk)

### Brazil

Phone: +55 (47) 98891-1044  
Email: [unicla@unicla.com.br](mailto:unicla@unicla.com.br)